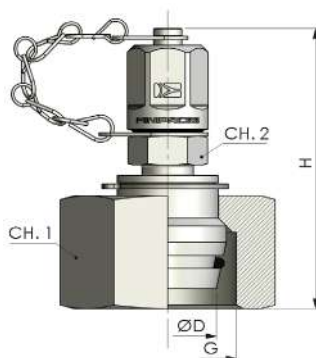




Minipresa tipo DKO codolo conico 24° con O-Ring

Test coupling with 24° O-Ring sealing cone DKO type

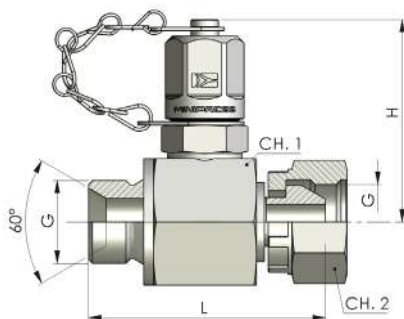


Serie / Series	D	G	H	Ch 1	Ch 2	PN [bar]	Codice/Ref.	Codice/Ref.	Codice/Ref.
							M 16x2*	M 16x1.5	M 12.65x1.5
L	6	M 12x1.5	53	14	17	250	S11012X15C	S11012X15150C	S11012X15120C
	8	M 14x1.5	55	17	17	250	S11014X15C	S11014X15150C	S11014X15120C
	10	M 16x1.5	56	19	19	250	S11016X15C	S11016X15150C	S11016X15120C
	12	M 18x1.5	57	22	19	250	S11018X15C	S11018X15150C	S11018X15120C
	15	M 22x1.5	59	27	22	250	S11022X15C	S11022X15150C	S11022X15120C
	18	M 26x1.5	59	32	22	160	S11026X15C	S11026X15150C	S11026X15120C
	22	M 30x2	57	36	27	160	S11030X20C	S11030X20150C	S11030X20120C
	28	M 36x2	63	41	17	100	S11035X20C	S11035X20150C	S11035X20120C
	35	M 45x2	70	50	17	100	S11045X20C	S11045X20150C	S11045X20120C
	42	M 52x2	70	60	17	100	S11052X20C	S11052X20150C	S11052X20120C
S	6	M 14x1.5	54	17	17	630	S11114X15C	S11114X15150C	S11114X15120C
	8	M 16x1.5	56	19	17	630	S11116X15C	S11116X15150C	S11116X15120C
	10	M 18x1.5	57	22	19	630	S11118X15C	S11118X15150C	S11118X15120C
	12	M 20x1.5	58	24	19	630	S11120X15C	S11120X15150C	S11120X15120C
	14	M 22x1.5	59	27	22	400	S11122X15C	S11122X15150C	S11122X15120C
	16	M 24x1.5	60	30	22	400	S11124X15C	S11124X15150C	S11124X15120C
	20	M 30x2	61	36	27	400	S11130X20C	S11130X20150C	S11130X20120C
	25	M 36x2	69	46	17	400	S11136X20C	S11136X20150C	S11136X20120C
	30	M 42x2	72	55	17	250	S11142X20C	S11142X20150C	S11142X20120C
	38	M 52x2	76	60	17	250	S11152X20C	S11152X20150C	S11152X20120C

\* Per fattibilità e disponibilità in acciaio inossidabile, M16X1.5 e M 12.65X1.5 si prega di verificare con ns ufficio commerciale. / Please verify the feasibility and availability of the stainless steel versions, M16X1.5 and M12.65X1.5 with our sales office.

Minipresa di pressione con giunzione diritta 60°

Check coupling male - female swivel 60°



G	H	L	Ch1	Ch2	PN bar	Codice/Ref.	Codice/Ref.	Codice/Ref.
						M 16x2 *	M 16x1.5 *	M 12.65x1.5
ISO 228 G1/4"	51	53	32	19	400	S11914G00C	S11914150C	S11914120C
ISO 228 G3/8"	51	60	32	22	400	S11938G00C	S11938150C	S11938120C
ISO 228 G1/2"	51	60	32	27	400	S11912G00C	S11912150C	S11912120C
ISO 228 G3/4"	51	60	32	32	400	S11934G00C	S11934150C	S11934120C
ISO 228 G1"	56	61	41	41	315	S11901G00C	S11901150C	S11901120C

\* Per fattibilità e disponibilità in acciaio inossidabile, si prega di verificare con ns ufficio commerciale. / Please verify the feasibility and availability of the stainless steel versions with our sales office.